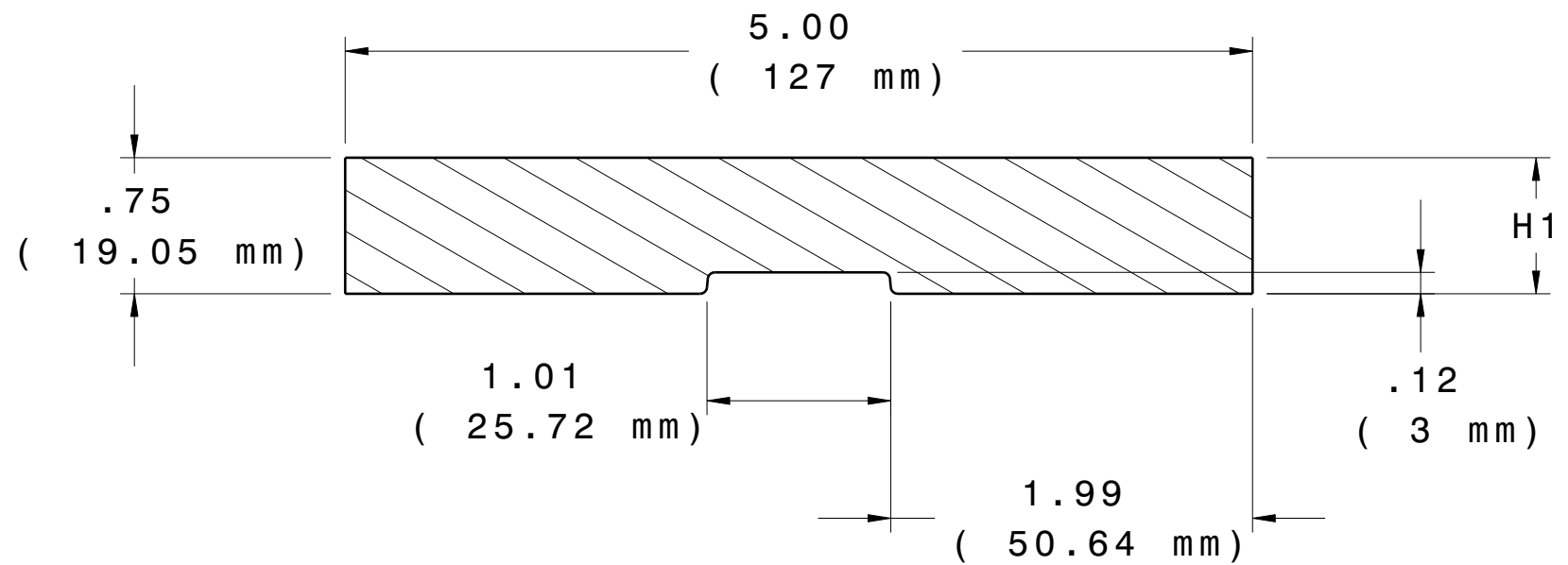
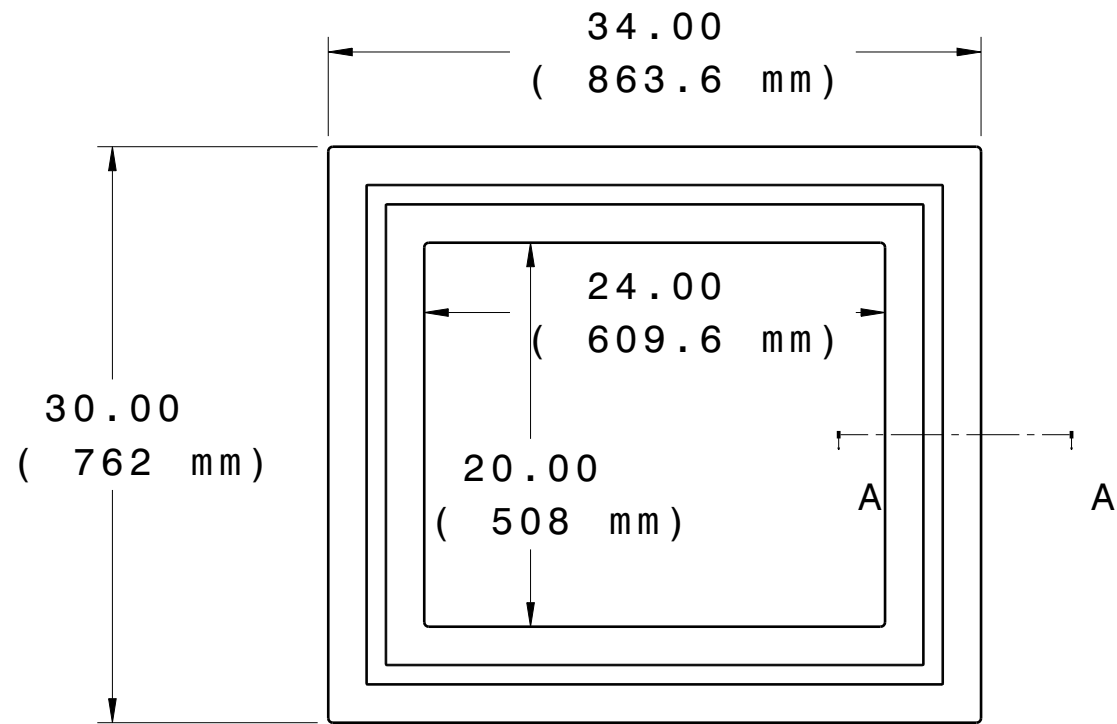
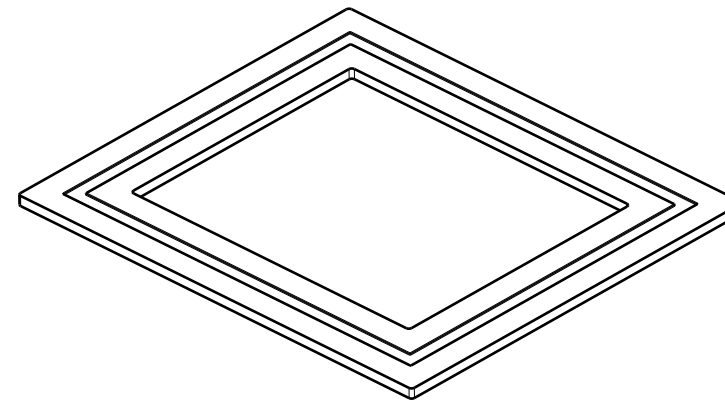


RECTANGULAR SERIES			
PART NUMBER	OUTER PROFILE (IN.)	INNER PROFILE (IN.)	H1 (IN.)
RT 24-20-75	34X30	24X20	0.75
RT 24-20-100	34X30	24X20	1
RT 24-20-125	34X30	24X20	1.25
RT 24-20-150	34X30	24X20	1.50
RT 24-20-200	34X30	24X20	2
RT 24-20-300	34X30	24X20	3
RT 24-20-400	34X30	24X20	4



Section cut A-A



GENERAL NOTES:

- MEETS HS20/HS25 LOADING PER M306 PROOF LOAD
- ARPRO EXPANDED POLYPROPYLENE BLACK 120 G/L ASTM-D3575
- DENSITY/WEIGHT TOLERANCE = +/-10%

SURFACE PROFILE: 5.0mm A B M C M

NO BURRS AT PARTING LINE PORTION

ALL HOLES OR SLOT SIZE TOLERANCE: ± 0.5 MM

MATERIAL SPECIFICATION: 3D CAD IS MASTER

ENGLISH/INCHES UNLESS OTHERWISE SPECIFIED

CAD SYSTEM: CATIA V5

MATERIAL: EPP

FILENAME:

ANY HARD COPY OF THIS DRAWING IS TO BE CONSIDERED AN UNCONTROLLED COPY UNLESS OTHERWISE SPECIFIED. ELECTRONIC COPY IS MASTER.

Scale 1:10

DRAWN BY:	ENGINEERING:	MOLDING:	QUALITY:

01	INITIAL RELEASE	N/A	08FEB 2019	E.N.
REV LEVEL	CHANGE DESCRIPTION	ECN #	DATE	INITIALS

**PRO-RING** MANHOLE ADJUSTMENT SYSTEM

PART NUMBER: 24 SERIES RECTANGULAR

ENGINEER: PHONE NUMBER