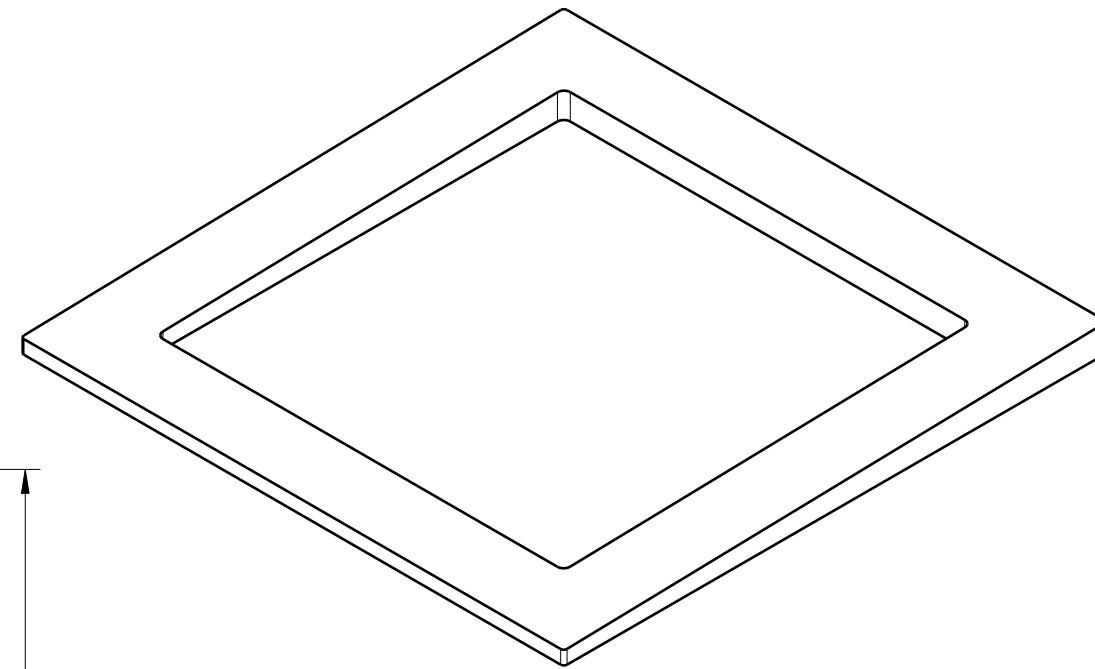
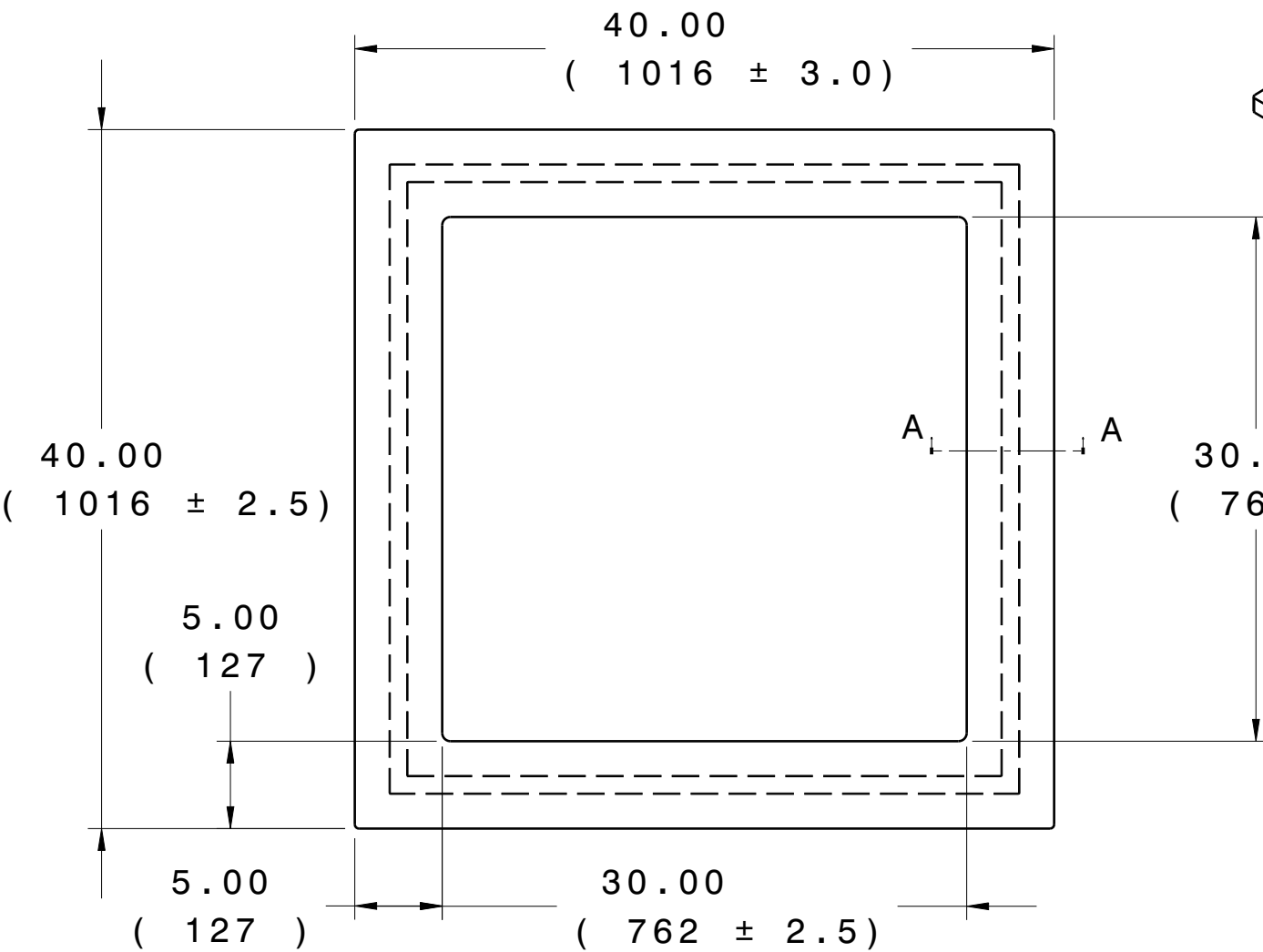


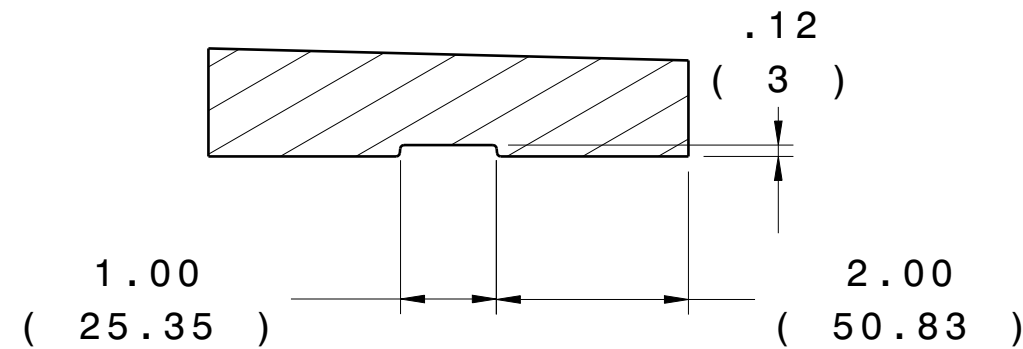
ANGLE RING				
PART NUMBER	OUTER PROFILE (IN.)	INNER PROFILE (IN.)	H1 (IN.)	H2 (IN.)
SQ 30-30A 1-2	40X40	30X30	1	2



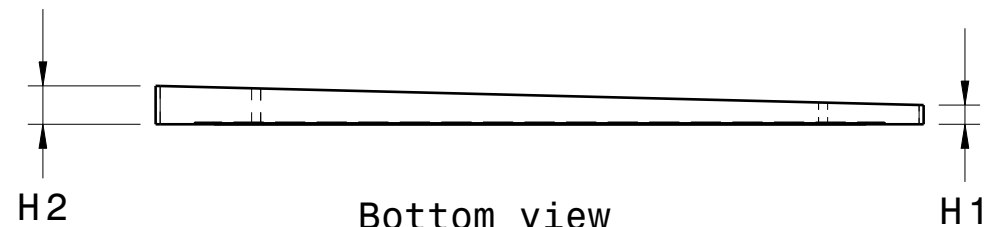
Isometric view
Scale: 1:10



Front view
Scale: 1:10



Section cut A-A
Scale: 1:2



Bottom view
Scale: 1:10

GENERAL NOTES:

- MEETS HS20/HS25 LOADING PER M306 PROOF LOAD
- ARPRO EXPANDED POLYPROPYLENE BLACK 120 G/L ASTM-D3575
- DENSITY/WEIGHT TOLERANCE = ±10%

SURFACE PROFILE: 5.0mm A B M C M
 NO BURRS AT PARTING LINE PORTION
 ALL HOLES OR SLOT SIZE TOLERANCE: ± 0.5 MM
 MATERIAL SPECIFICATION: 3D CAD IS MASTER

ENGLISH/INCHES UNLESS OTHERWISE SPECIFIED
 CAD SYSTEM: CATIA V5
 MATERIAL: EPP
 FILENAME:

Scale 1:10

REV LEVEL	CHANGE DESCRIPTION	ECN #	DATE	INITIALS
PART NUMBER: 30 SERIES ANGLE RING		CUSTOMER REVISION LEVEL:		
ENGINEERING:		PHONE NUMBER		
DRAWN BY:	ENGINEERING:	MOLDING:	QUALITY:	

